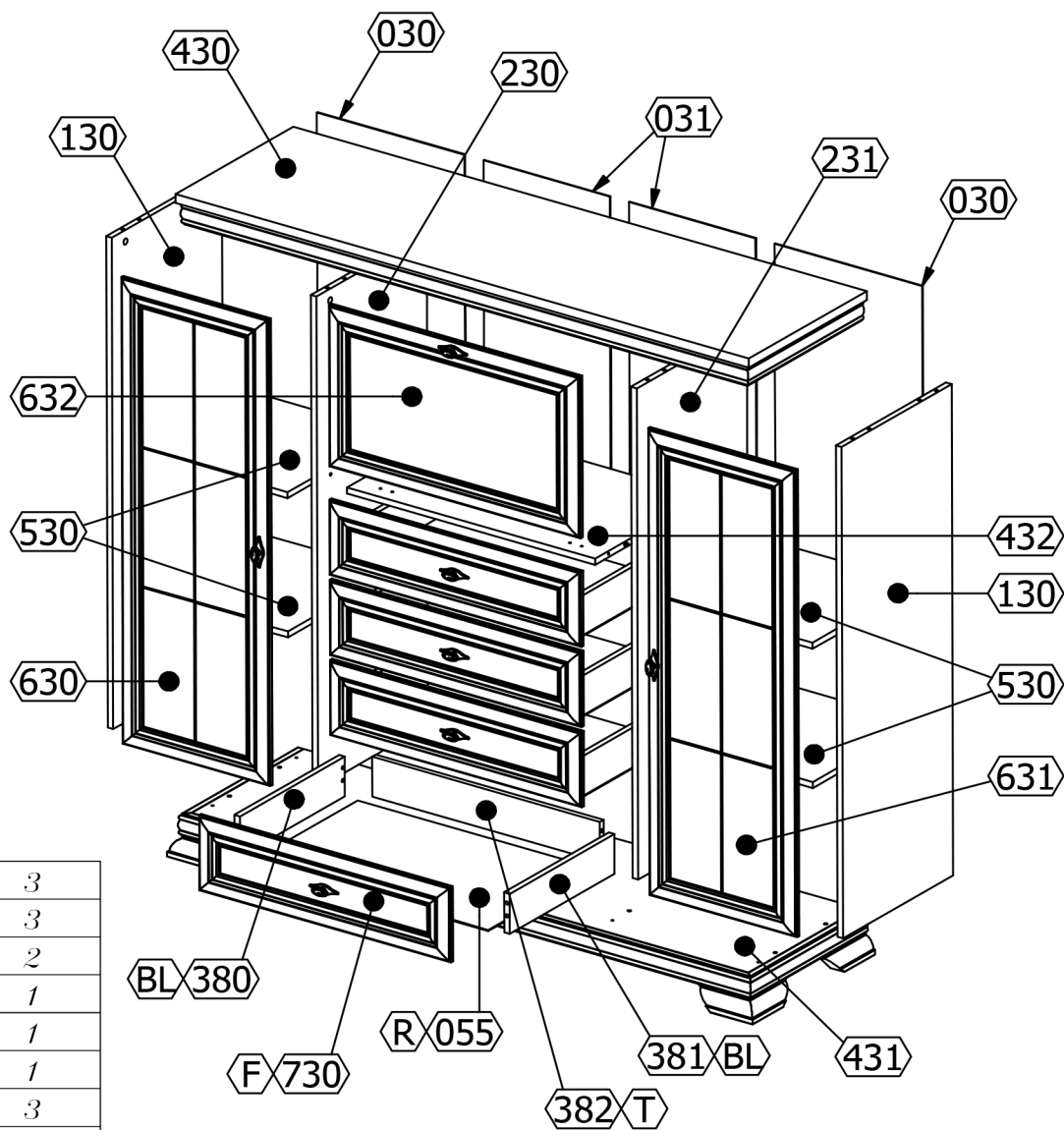
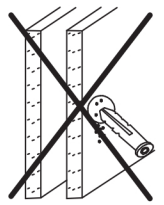
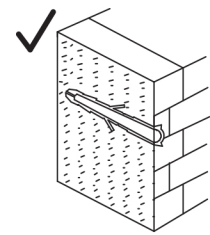
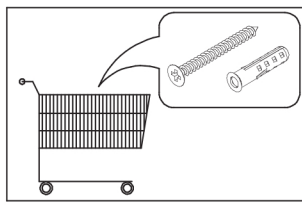
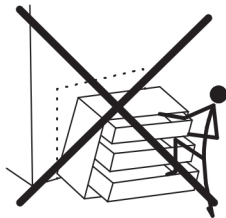
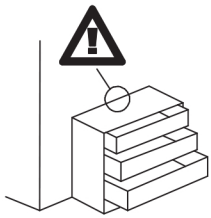




Kora KK7

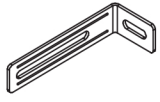


1	430	1	3
2	431	1	3
3	432	1	2
4	130	2	1
5	230	1	1
6	231	1	1
7	030	2	3
8	530	4	1
9	630	1	4
10	631	1	4
11	730	4	2
12	380	4	1
13	381	4	1
14	382	4	1
15	055	4	3
16	031	2	3
17	632	1	2



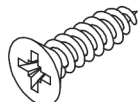
**A**

T4 x1

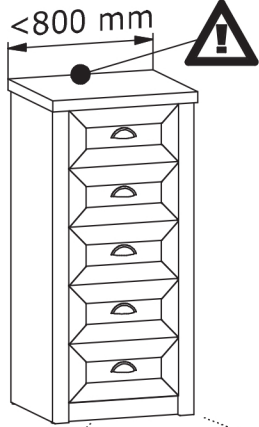


75x28x16 mm

W2 x2

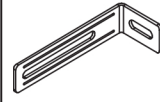


Ø3,5x16mm



**B**

T4 x2

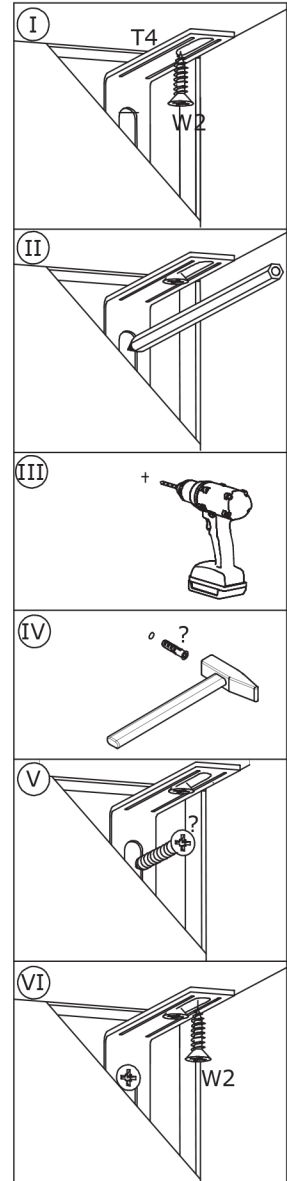
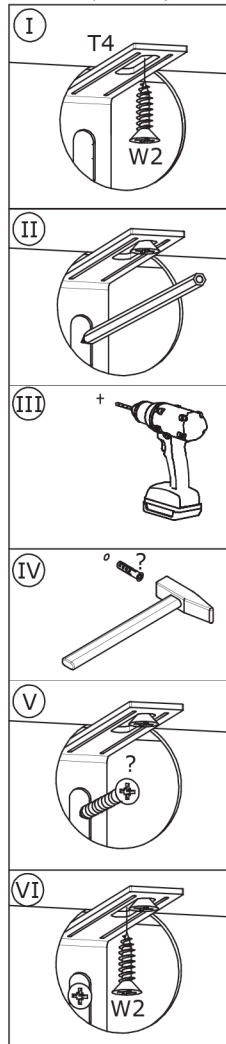
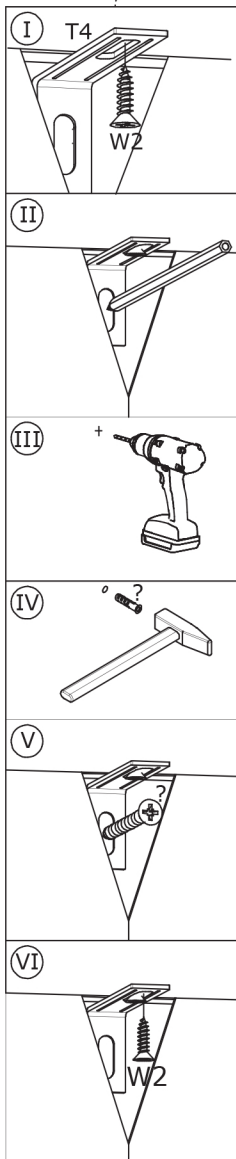
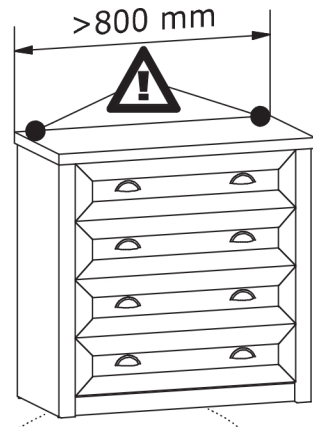


75x28x16 mm

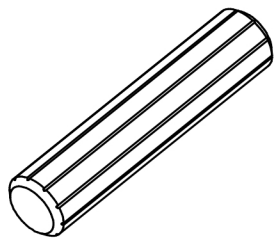
W2 x4



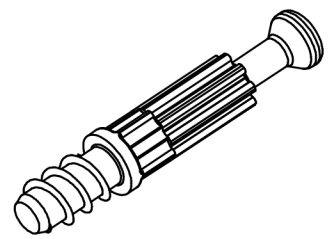
Ø3,5x16mm



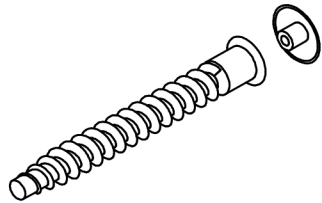
**A** x52  
(8x36)



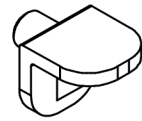
**B** x16



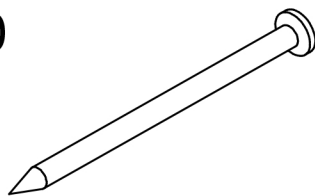
**D** x4



**E** x16



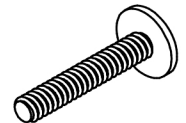
**G** x140



**M** x7

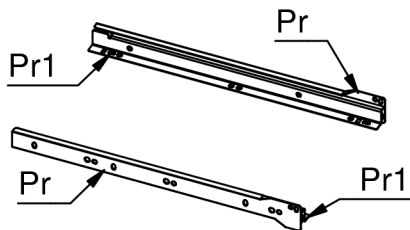


+ 4 x X1 (M4x27)

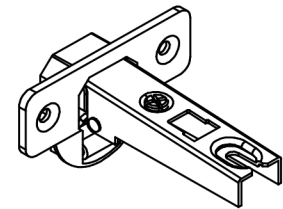
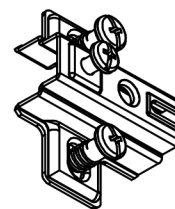


3 x X2 (M4x35)

**P** x4



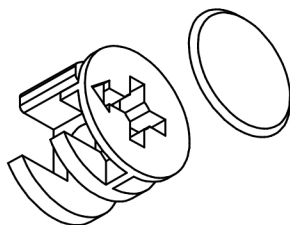
**U** x6



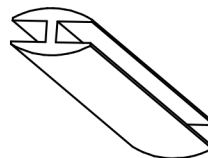
Uz

Uz1

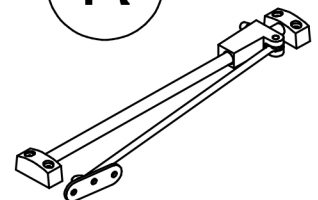
**C** x16  
(Ø15x12)



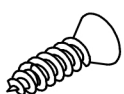
**H** x1



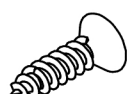
**R** x1



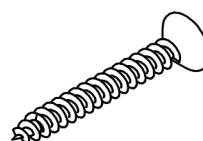
**W1** x19  
(3,5x13)



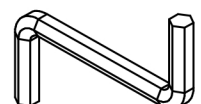
**W2** x12  
(3,5x16)



**W3** x20  
(3x25)

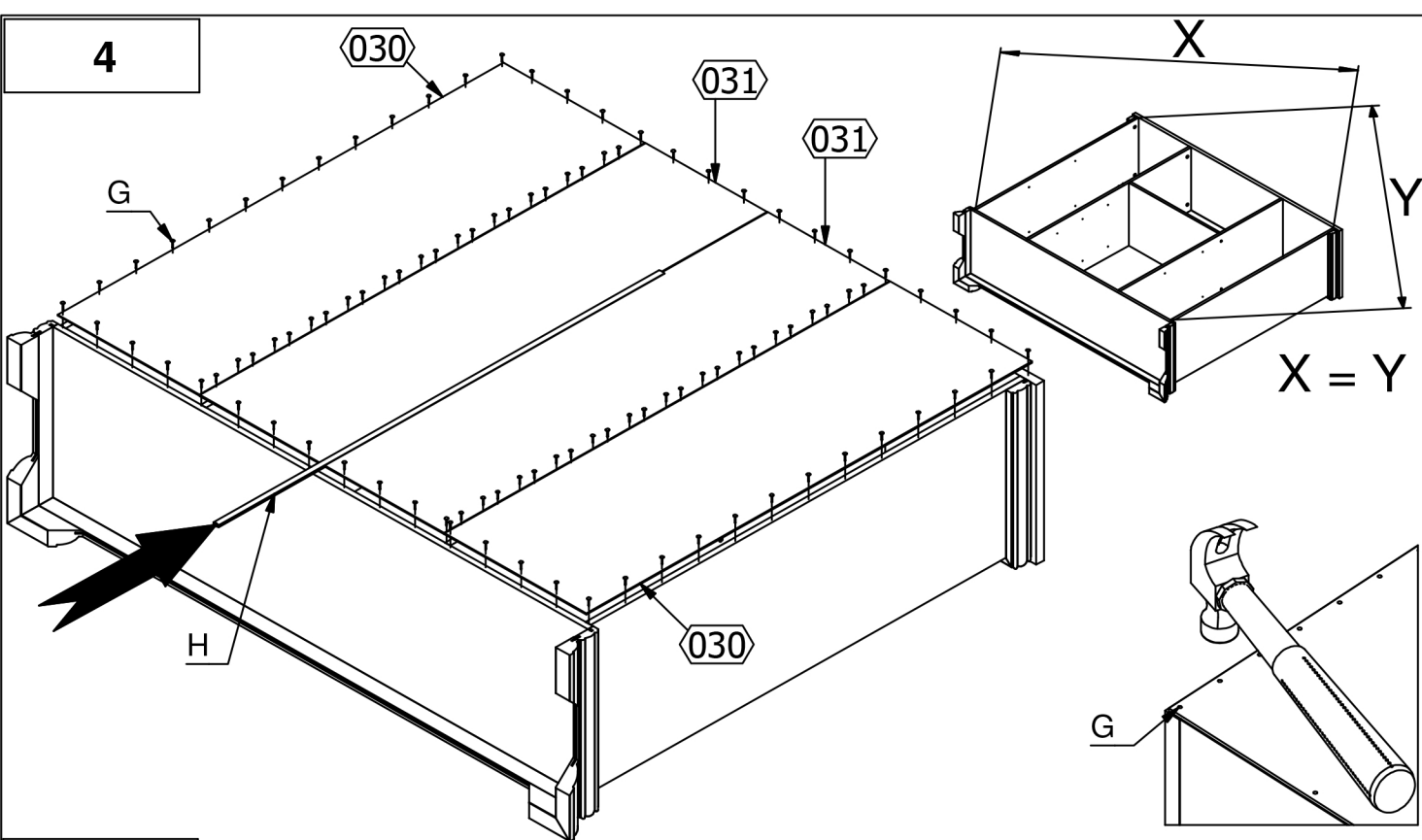


**Z** x1

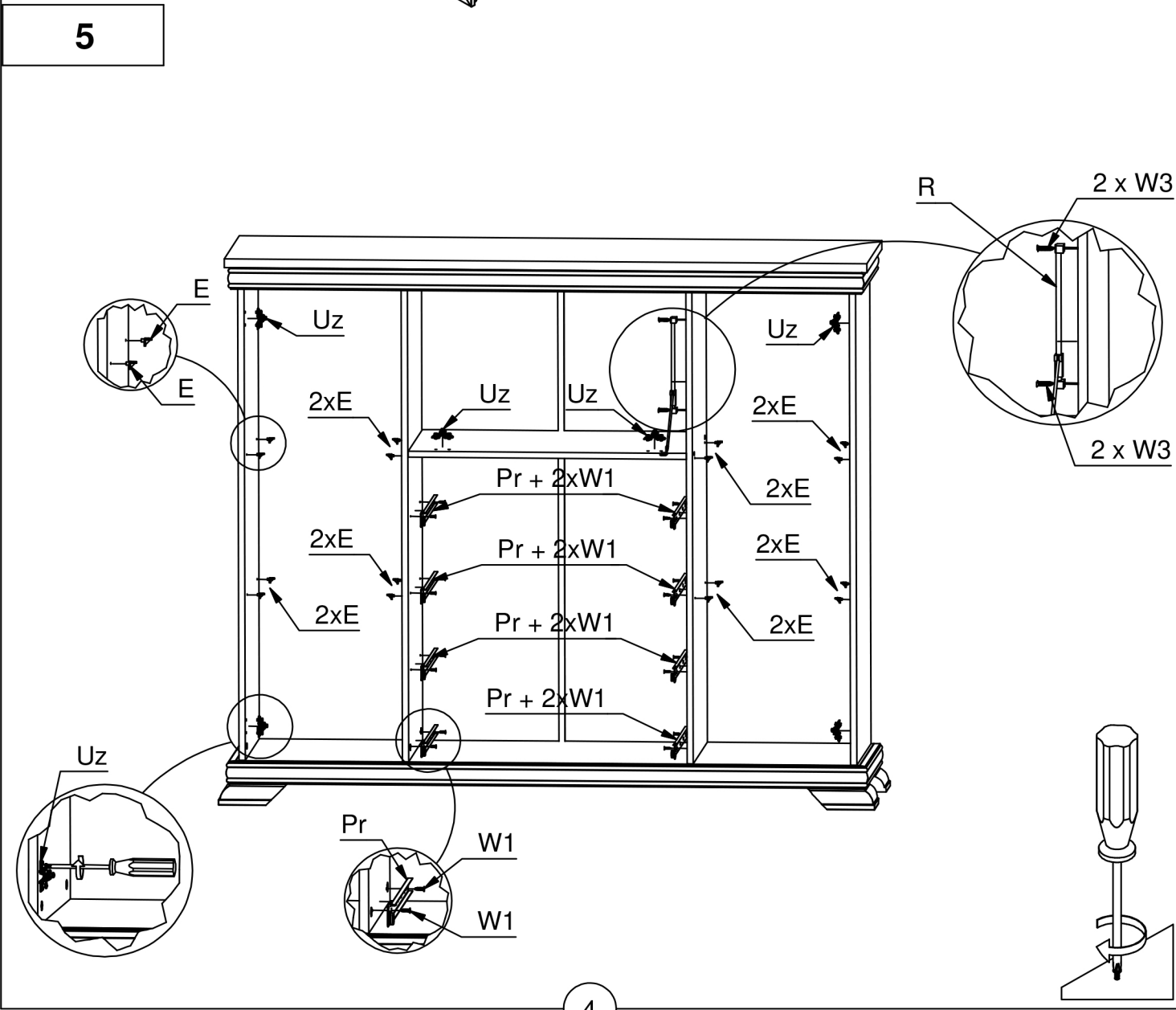




4

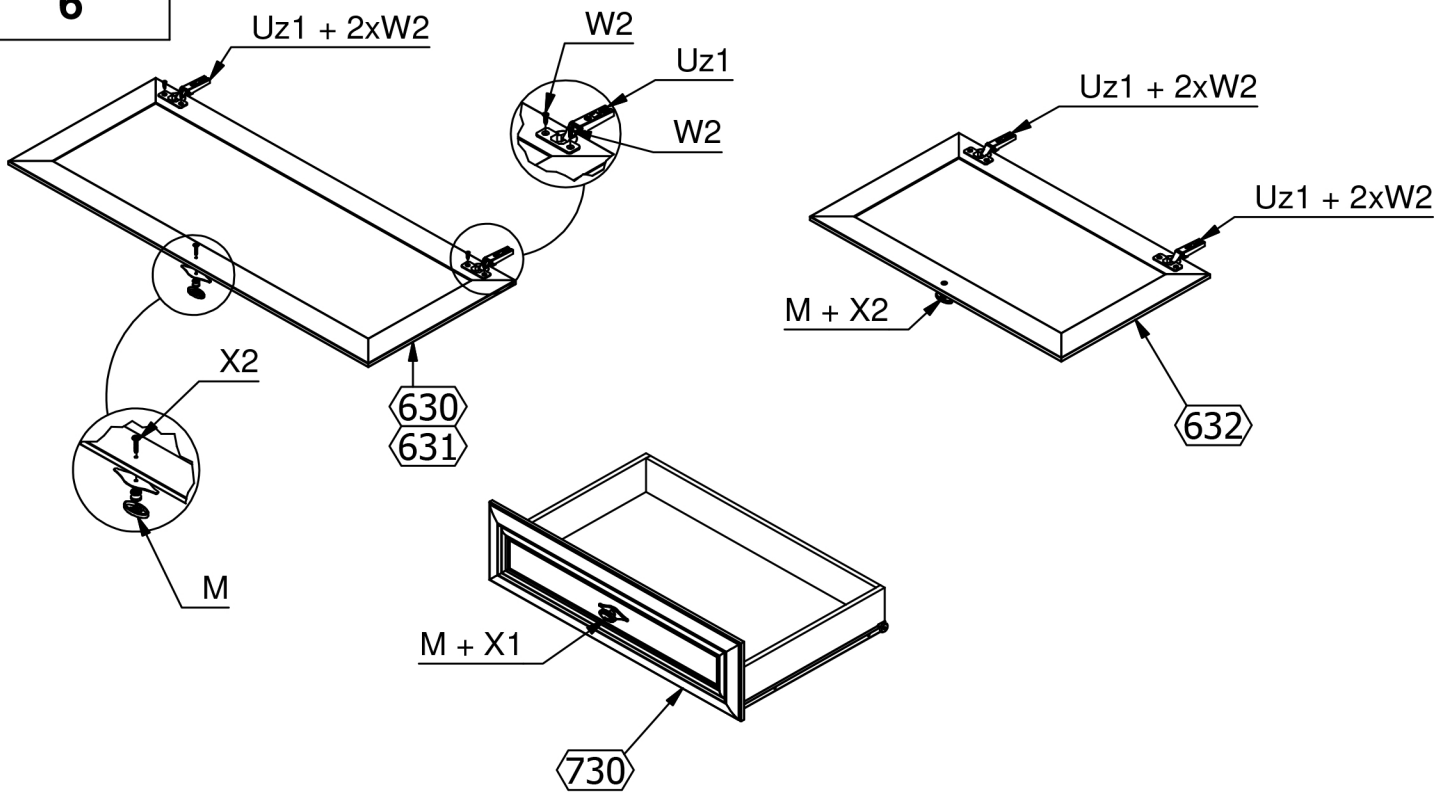


5

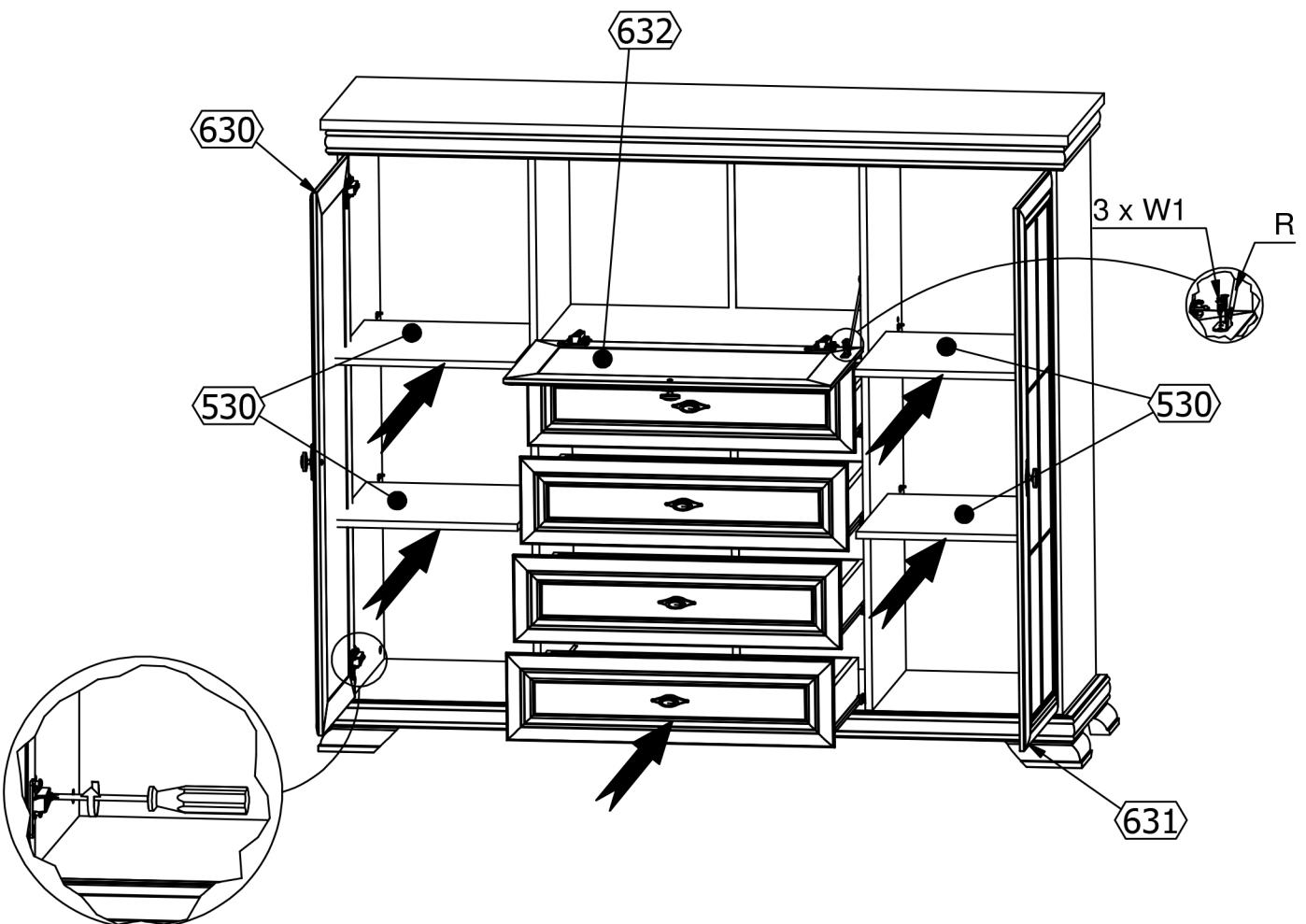


4

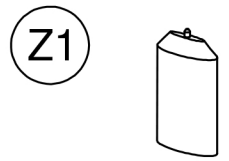
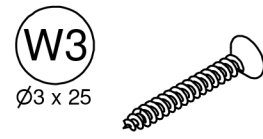
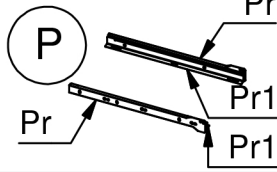
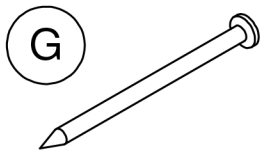
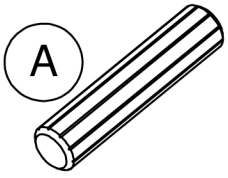
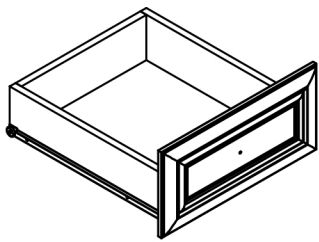
6



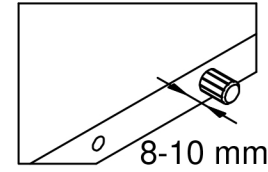
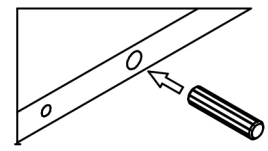
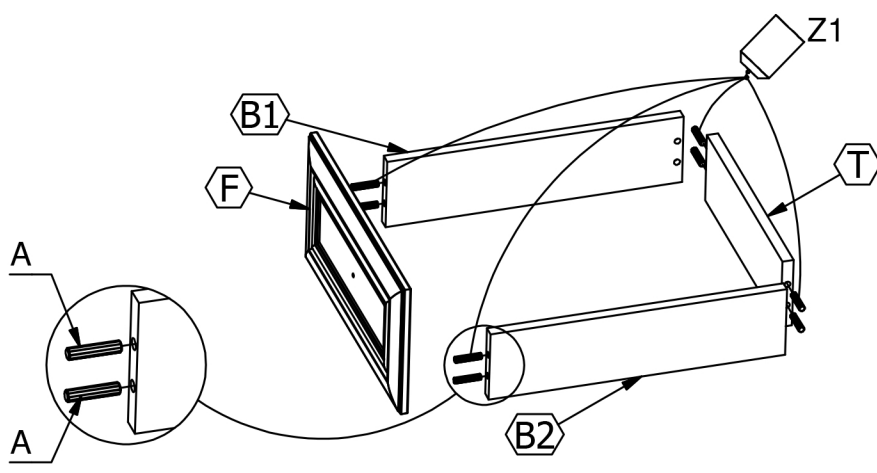
7



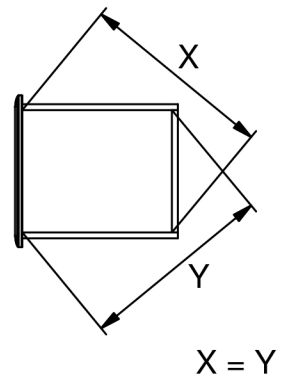
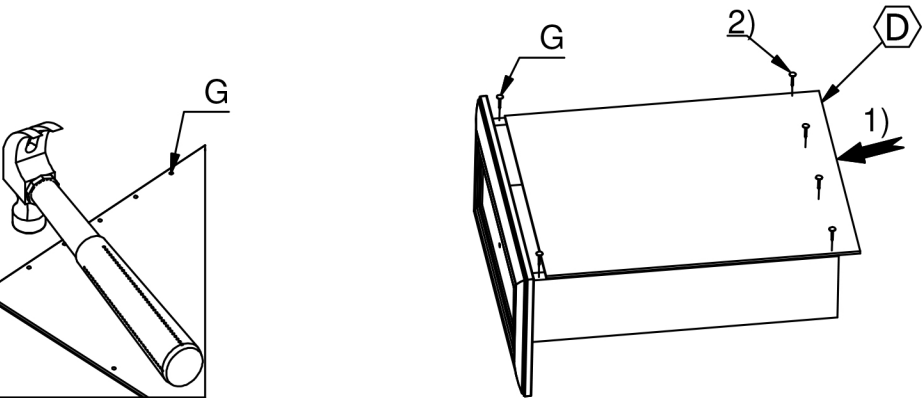
5



**I**



**II**



**III**

